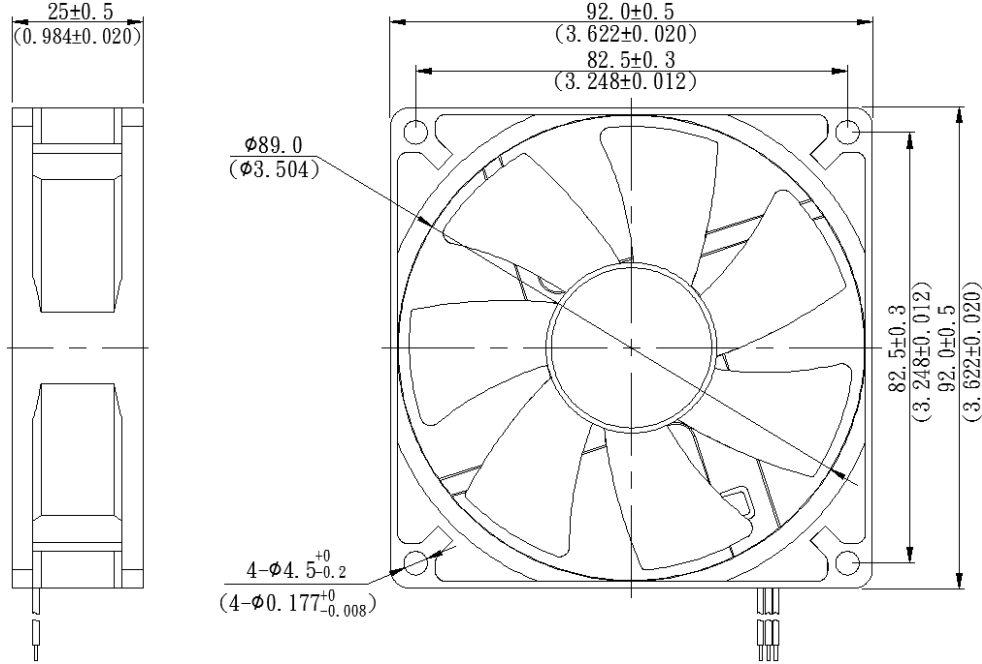




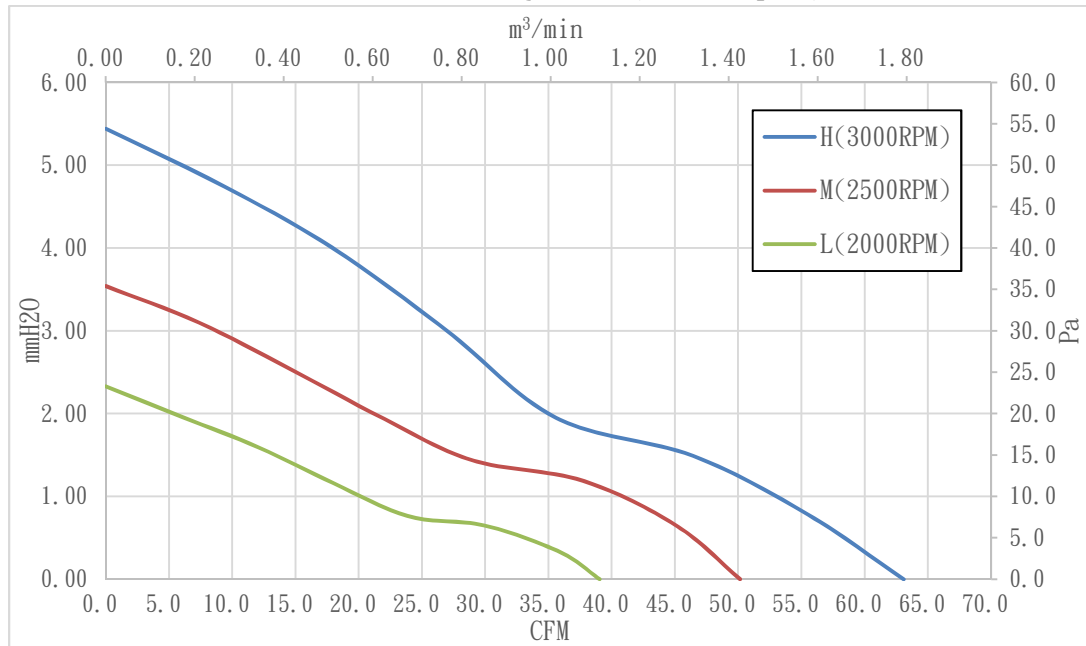
GLOBEFAN TECHNOLOGY CO., LTD.

No. 28, 3 Lane Zhongxinjin Road, Jin Industry District Shoei Koou Village,
 Da Laang Town, Dungguan City, Guangdong Province, China
 Tel : +86 769 83182898~9 Fax : +86 769 83182897

◆ DIMENSIONS DRAWING



◆ 92x92x25mm DC Axial Fan P/Q Curves (At rated speed)A Version



* BEARING TYPE

- Ball bearing
- Sleeve bearing

* Electrical Function

- Frequency Generator Output Signal
- RD (Lock Detection) Output Signal

* Material

Impeller: Plastic (PBT 30%GF)
 Frame : Plastic (PBT 30%GF)

* Lead wires

UL1007 26AWG or Equivalent
 Black Wire Negative (-)
 Red or Yellow Wire Positive (+)
 White Wire Signal (FG)

* Weight :86.6g (3.05 oz)

MODEL	Operating Voltage Range	Rated Voltage	Rated Current	Rated Input Power	Speed	Maximum Air Flow		Maximum Air Pressure		Noise
Part No.	VDC	VDC	Amp	Watts	R.P.M	m ³ /min	CFM	mmH ₂ O	Pa	dB(A)
B/S07138812H	6 ~13.8	12	0.45	5.4	3000±10%	1.79	63.09	5.44	53.35	37.5
B/S07138812M	6 ~13.8	12	0.27	3.2	2500±10%	1.42	50.15	3.54	34.72	32.3
B/S07138812L	6 ~13.8	12	0.18	2.2	2000±10%	1.11	39.05	2.33	22.85	26.7

* Function type is optional.

* The max. air flow and speed are measured in free air; max. air pressure is measured at close to zero air flow.

* Noise is measured in anechoic chamber in free air, one meter from intake side.

* All readings are typical values at rated voltage.

* Specifications are subject to change without notice.